

# ARIES-163 ML-50

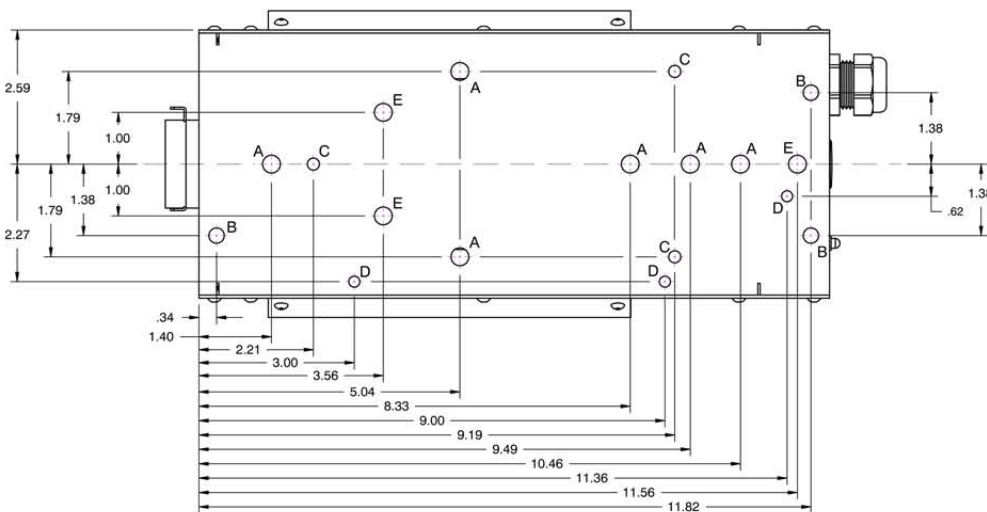
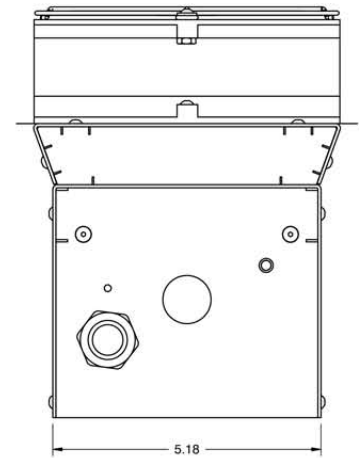
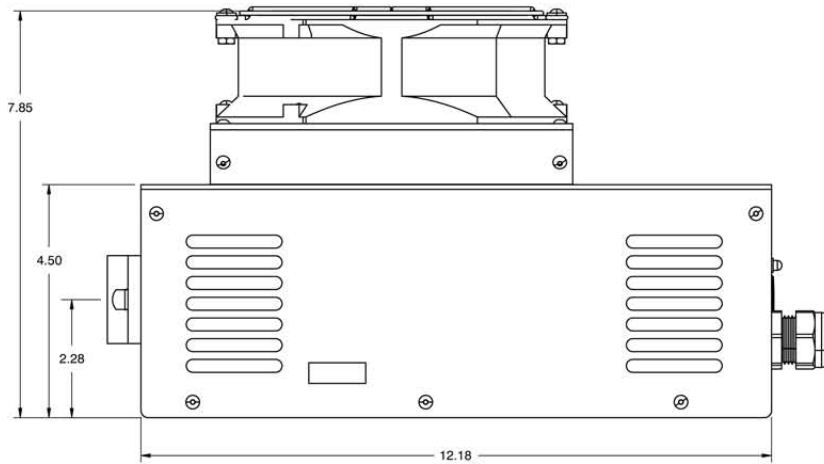
## Air-Cooled Argon Laser Head

The Aries-163 ML-50 is a conventional style laser head incorporating a hard-sealed laser tube housed within a rigid chassis. A high flow axial fan provides quiet and efficient cooling of the laser tube. The Aries-163 Laser Head operates with the state-of-the-art LPS-1300 Power Supply to which it attaches via a highly flexible interconnect cable. The Aries-163 Laser Head is designed to replace Spectra-Physics™ 163 series laser heads.



### Specifications

Wavelength (Multi-Line)	457.9nm - 514.5nm	Beam Amplitude Noise	<1% RMS
Maximum Output Power	50mW	Polarization Ratio	>250:1
Beam Mode	TEM <sub>00</sub>	Warm-Up Time	5 Minutes
Beam Diameter (1/e <sup>2</sup> )	0.70mm	Laser Tube Voltage	105VDC - 120VDC
Beam Divergence	0.90mrad	Power Consumption	<1200 Watts
Beam Pointing Stability	<30urad	Weight (lbs / Kg)	9lbs / 4.1Kg (approx.)
Output Power Drift (after warm up)	< +/- 1%		



Hole	Description
A	M6
B	10-32 UNC
C	8-32 UNC
D	6-32 UNC
E	1/4-20 UNC

All Dimensions are in Inches

### Modu-Laser, LLC

1258 W. 50 S., Centerville, Utah 84014

Phone: 801-983-2682 Fax: 801-299-2682

e-mail: info@modu-laser.com web: www.modu-laser.com

Specifications are subject to change without notice.

