

# ORION-643 YB/40

## Air-Cooled Argon/Krypton Laser Head

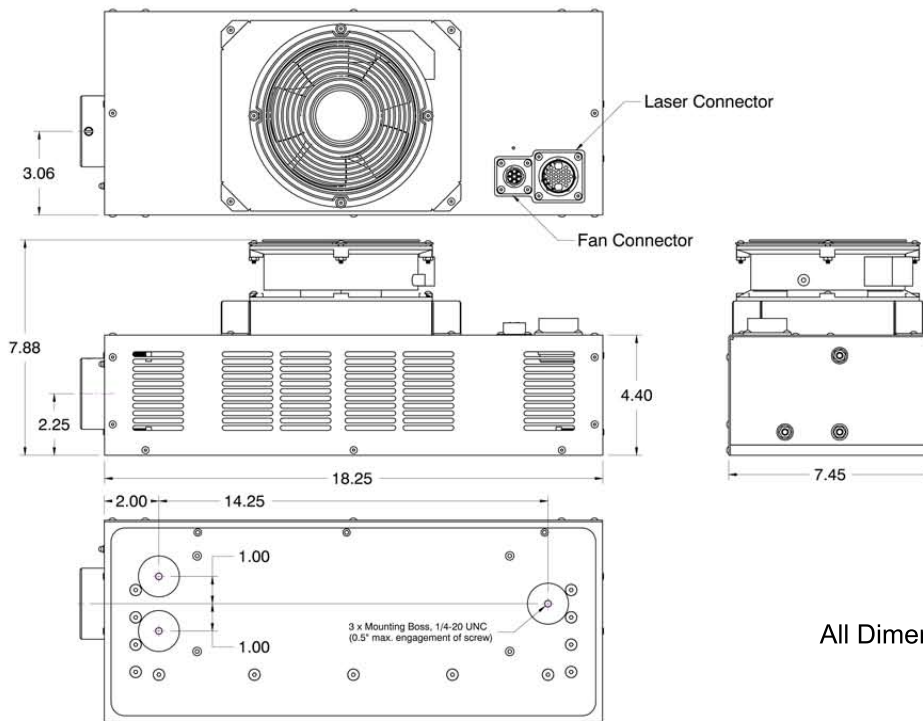
The Orion-643 YB/40 is a conventional resonator style laser head offering the broader wavelength benefits of argon/krypton mixed gas operation. A high flow axial fan provides quiet and efficient cooling of the laser assembly. **A Remote Cooling Option is also available.** Each Orion-643 laser head operates with the LPS-1300 Power Supply to which it attaches via a highly flexible interconnect cable.



## Specifications

Dominant Wavelengths	488nm and 568.2nm
Maximum Output Power (Total)	40mW (20mW @ 488nm, 20mW @ 568.2nm)
Beam Mode	TEM <sub>00</sub>
Beam Diameter (1/e <sup>2</sup> )	0.75mm
Beam Divergence	0.95mrad
Beam Pointing Stability	<30urad
Output Power Drift (after warm up)	< +/- 5%
Beam Amplitude Noise	<1% RMS
Polarization Ratio	>250:1
Warm-Up Time	10 Minutes
Laser Tube Voltage	200VDC - 265VDC
Power Consumption	<2500 Watts
Weight (lbs / Kg)	25lbs / 11.4Kg (approx.)

## Dimensions



All Dimensions are in Inches

## Modu-Laser, LLC

1258 W. 50 S., Centerville, Utah 84014

Phone: 801-983-2682 Fax: 801-299-2682

e-mail: info@modu-laser.com web: www.modu-laser.com

Specifications are subject to change without notice.

