

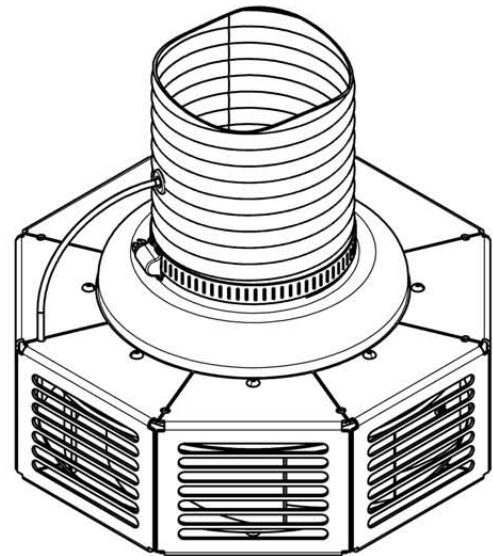
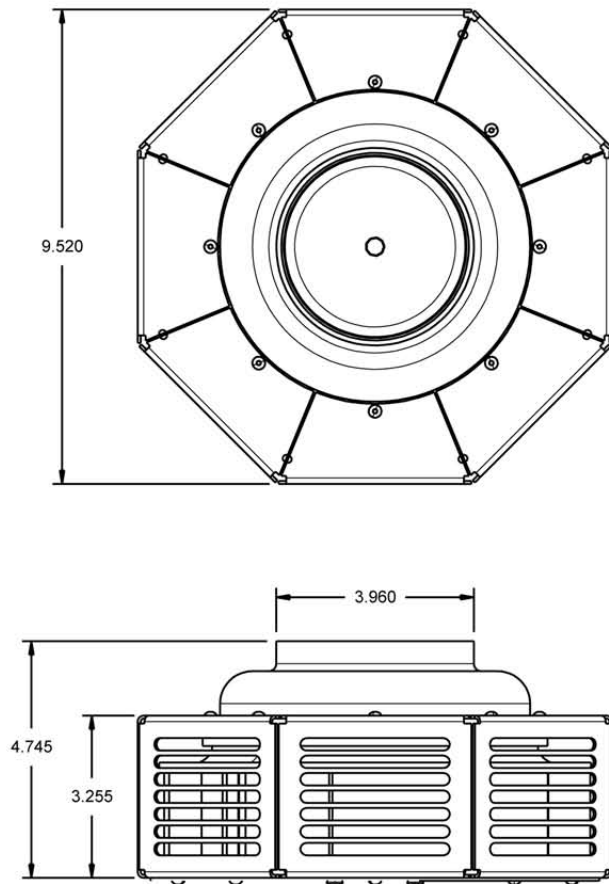
E-COOL-L REMOTE COOLING FAN

Remote Cooling Fan Assembly

The E-Cool-L Remote Cooling Fan assembly is designed to provide quiet and efficient remote cooling of any Stellar-Pro-L laser system. This remote cooling fan assembly is designed to be used in applications where vibrational fan noise must be eliminated from the laser system. This assembly may also be used in applications which require that the hot laser cooling exhaust air be removed from the vicinity of the laser system. A 4" flexible cooling hose, with integrated power cable, connects the remote cooling fan assembly to the top of the Stellar-Pro-L laser system. The standard length of the cooling hose is 6' but can be customized in length up to 12'. The E-Cool-L remote cooling fan assembly is a factory installed option.



Specifications



All Dimensions are in Inches

Modu-Laser, LLC

1258 W. 50 S., Centerville, Utah 84014

Phone: 801-983-2682 Fax: 801-299-2682

e-mail: info@modu-laser.com web: www.modu-laser.com

Specifications are subject to change without notice.

